

WEEKLY TESTING

WARNING!

- NEVER** use an open flame of any kind to test this unit. It may be accidentally damaged or set fire to the unit or your home. The built-in test switch accurately tests the unit's operation as required by Underwriters Laboratories, Inc. (UL). NEVER use vehicle exhaust! Exhaust may cause permanent damage and voids your warranty.
- DO NOT stand close to the Alarm when the horn is sounding. Exposure at close range may be harmful to your hearing. When testing, step away when horn starts sounding.**

CAUTION!

It is important to test this unit every week to make sure it is working properly. Press the Test/Silence button on the Alarm cover until alarm sounds.

If the Alarm does not test properly:

- Make sure the AC power is applied and batteries are fresh and installed correctly.
- Test the unit again.

If the Alarm is still not working, replace it immediately. Refer to the "Limited Warranty" at the end of this manual.

WARNING!

If there is still a problem, do not try to fix the Alarm yourself. This will void your warranty!

REGULAR MAINTENANCE

WARNING!

Use only the replacement batteries listed below. The unit may not operate properly with other battery. Never use rechargeable batteries since they will not provide a constant charge.

This unit has been designed to be as maintenance-free as possible, but there are a few simple things you must do to keep it working properly:

- Test it at least once a week.
- Clean the Alarm at least once a month; gently vacuum the outside of the Alarm using your household vacuum's soft brush attachment. Test the Alarm. Never use water, cleaners or solvents since they may damage the unit.
- Relocate the unit if it sounds frequent unwanted alarms. See "Where This Alarm Should Not Be Installed" for details.

When the battery back-up becomes weak, the Alarm will "chirp" about once a minute (the low battery warning). You should replace the battery immediately to continue your protection. This Alarm must have AC or battery power to operate. If AC power fails, and the battery is dead or missing, the Alarm cannot operate.

WARNING!

DO NOT spray cleaning chemicals or insect sprays directly on or near the Alarm. DO NOT paint over the Alarm. Doing so may permanently damage the Alarm.

CHOOSING A REPLACEMENT BATTERY:

This CO Alarm requires two standard AA batteries. The following batteries are acceptable as replacements: Energizer E91. These batteries are available at many local retail stores.

IMPORTANT!

Actual battery service life depends on the Alarm and the environment in which it is installed. All the batteries specified above are acceptable replacement batteries for this unit. Regardless of the manufacturer's suggested battery life, you MUST replace the battery immediately once the unit starts "chirping" (the "low battery warning").

WHAT YOU NEED TO KNOW ABOUT CO

WHAT IS CO?

CO is an invisible, odorless, tasteless gas produced when fossil fuels do not burn completely, or are exposed to heat (usually fire). Electrical appliances typically do not produce CO.

These fuels include: Wood, coal, charcoal, oil, natural gas, gasoline, kerosene, and propane.

Common appliances are often sources of CO. If they are not properly maintained, are improperly ventilated, or malfunction, CO levels can rise quickly. CO is a real danger now that homes are more energy efficient. "Air-tight" homes with added insulation, sealed windows, and other weatherproofing can "trap" CO inside.

SYMPTOMS OF CO POISONING

These symptoms are related to CO POISONING and should be discussed with ALL household members.

Mild Exposure: Slight headache, nausea, vomiting, fatigue ("flu-like" symptoms).

Medium Exposure: Throbbing headache, drowsiness, confusion, fast heart rate.

Extreme Exposure: Convulsions, unconsciousness, heart and lung failure.

Exposure to Carbon Monoxide can cause brain damage, death.

IMPORTANT!

This CO Alarm measures exposure to CO over time. It alarms if CO levels are extremely high in a short period of time, or if CO levels reach a certain minimum over a long period of time. The CO Alarm generally sounds an alarm before the onset of symptoms in average, healthy adults. Why is this important? You need to be warned of a potential CO problem while you can still react in time. In many reported cases of CO exposure, victims may be aware that they are not feeling well, but become disoriented and can no longer react well enough to exit the building or get help. Also, young children and pets may be the first affected. The average healthy adult might not feel any symptoms when the CO Alarm sounds. However, people with cardiac or respiratory problems, infants, unborn babies, pregnant mothers, or elderly people can be more quickly and severely affected by CO. If you experience even mild symptoms of CO poisoning, consult your doctor immediately!

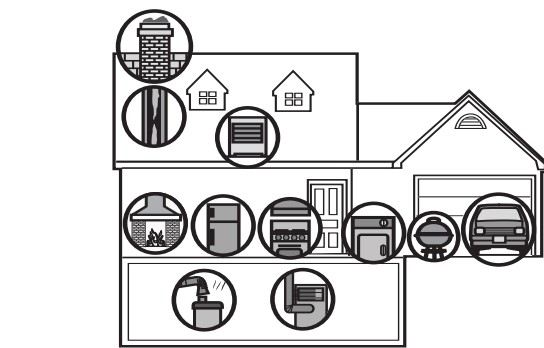
FINDING THE SOURCE OF CO AFTER AN ALARM

Carbon monoxide is an odorless, invisible gas, which often makes it difficult to locate the source of CO after an alarm. There are a few of the factors that can make it difficult to locate sources of CO:

- House well ventilated before the investigator arrives.
- Problem caused by "backdrafting."
- Transient CO problem caused by special circumstances.

Because CO may dissipate by the time an investigator arrives, it may be difficult to locate the source of CO. BRK Brands, Inc. shall not be obligated to pay for any carbon monoxide investigation or service call.

POTENTIAL SOURCES OF CO IN THE HOME



Fuel-burning appliances like: portable heater, gas or wood burning fireplace, gas kitchen range or cooktop, gas clothes dryer.

Damaged or insufficient venting: corroded or disconnected water heater vent pipe, leaking chimney pipe or flue, or cracked heat exchanger, blocked or clogged chimney opening.

Improper use of appliance/ device: operating a barbecue grill or vehicle in an enclosed area (like a garage or screened porch).

Transient CO Problems: "transient" or on-again-off-again CO problems can be caused by outdoor conditions and other special circumstances.

The following conditions can result in transient CO situations:

- Excessive spillage or reverse venting of fuel appliances caused by outdoor conditions such as:
 - Wind direction and/or velocity, including high, gusty winds. Heavy air in the vent pipes (cold/humid air with extended periods between cycles).
 - Negative pressure differential resulting from the use of exhaust fans.
 - Several appliances running at the same time competing for limited fresh air.
 - Vent pipe connections vibrating loose from clothes dryers, furnaces, or water heaters.
 - Obstructions in or unconventional vent pipe designs which can amplify the above situations.
 - Extended operation of unvented fuel burning devices (range, oven, fireplace).
 - Temperature inversions, which can trap exhaust close to the ground.
 - Car idling in an open or closed attached garage, or near a home.
- These conditions are dangerous because they can trap exhaust in your home. Since these conditions can come and go, they are also hard to recreate during a CO investigation.

HOW CAN I PROTECT MY FAMILY FROM CO POISONING?

A CO Alarm is an excellent means of protection. It monitors the air and sounds a loud alarm before Carbon Monoxide levels become threatening for average, healthy adults.

A CO Alarm is not a substitute for proper maintenance of home appliances.

To help prevent CO problems and reduce the risk of CO poisoning:

- Clean chimneys and flues yearly. Keep them free of debris, leaves, and nests for proper air flow. Also, have a professional check for rust and corrosion, cracks, or separations. These conditions can prevent proper air movement and cause backdrafting. Never "cap" or cover a chimney in any way that would block air flow.
- Test and maintain all fuel-burning equipment annually. Many local gas or oil companies and HVAC companies offer appliance inspections for a nominal fee.
- Make regular visual inspections of all fuel-burning appliances. Check appliances for excessive rust and scaling. Also check the flame on the burner and pilot lights. The flame should be blue. A yellow flame means fuel is not being burned completely and CO may be present. Keep the blower door on the furnace closed. Use vents or fans when they are available on all fuel-burning appliances. Make sure appliances are vented to the outside. Do not grill or barbecue indoors, or in garages or on screen porches.
- Check for exhaust backflow from CO sources. Check the draft hood on exchanging furnace for a backdraft. Look for cracks on furnace heat exchangers.
- Check the house or garage on the other side of shared wall.
- Keep windows and doors open slightly. If you suspect that CO is escaping into your home, open a window or a door. Opening windows and doors can significantly decrease CO levels.

In addition, familiarize yourself with all enclosed materials. Read this manual in its entirety, and make sure you understand what to do if your CO Alarm sounds.

REGULATORY INFORMATION FOR CO ALARMS

WHAT LEVELS OF CO CAUSE AN ALARM?

Underwriters Laboratories Inc. Standard UL2034 requires residential CO Alarms to sound when exposed to levels of CO and exposure times as described below. They are measured in parts per million (ppm) of CO over time (in minutes).

UL2034 Required Alarm Points*:

- If the alarm is exposed to 400 ppm of CO, IT MUST ALARM BETWEEN 4 and 15 MINUTES.
- If the alarm is exposed to 150 ppm of CO, IT MUST ALARM BETWEEN 10 and 50 MINUTES.
- If the alarm is exposed to 70 ppm if CO, IT MUST ALARM BETWEEN 60 and 240 MINUTES.

* Approximately 10% COHb exposure at levels of 10% to 95% Relative Humidity (RH).

The unit is designed not to alarm when exposed to a constant level of 30 ppm for 30 days.

IMPORTANT!

CO Alarms are designed to alarm before there is an immediate life threat. Since you cannot see or smell CO, never assume it's not present.

- An exposure to 100 ppm of CO for 20 minutes may not affect average, healthy adults, but after 4 hours the same level may cause headaches.
- An exposure to 400 ppm of CO may cause headaches in average, healthy adults after 35 minutes, but can cause death after 2 hours.

Standards: Underwriters Laboratories Inc. Single and Multiple Station carbon monoxide alarms UL2034.

According to Underwriters Laboratories Inc. UL2034, Section 1-1.2: "Carbon monoxide alarms covered by these requirements are intended to respond to the presence of carbon monoxide from sources such as, but not limited to, exhaust from internal-combustion engines, abnormal operation of fuel-fired appliances, and fireplaces. CO Alarms are intended to alarm at carbon monoxide levels below those that could cause a loss of ability to react to the dangers of Carbon Monoxide exposure." This CO Alarm monitors the air at the Alarm, and is designed to alarm before CO levels become life threatening. This allows you precious time to leave the house and correct the problem. This is only possible if Alarms are located, installed, and maintained as described in this manual.

Gas Detection at Typical Temperature and Humidity Ranges: The CO Alarm is not formulated to detect CO levels below 30 ppm typically.

Audible Alarm: 85 dB minimum at 10 feet (3 meters).

TROUBLESHOOTING GUIDE		
If your Alarm does this...	It means...	You should...
Green light is OFF. Unit will not alarm when you press the Test/Silence button.	Unit may not be receiving any power.	Check the AC power supply. Make sure fresh batteries are installed to power the battery back-up*.
Green light flashes ON, once a minute (horn is silent).	Alarm is not receiving AC power. Unit is operating on battery back-up.	Check the AC power supply.
The horn "chirps" once a minute.	Low battery warning. Battery is low or missing.	Replace the battery. Avoid interrupting AC power.
Once a minute, the alarm sounds 3 "chirps", and the Green light flashes three times.	MALFUNCTION SIGNAL. Based on its Self Test diagnostics, the unit has detected a malfunction. The unit needs to be replaced.	Units under warranty should be returned to manufacturer for replacement. See "Limited Warranty" for details.
The light flashes (Green) and the horn sounds 5 "chirps" every minute.	END OF LIFE SIGNAL. CO Alarm needs to be replaced.	Immediately replace the CO Alarm.
The horn sounds constantly with no pattern and cannot be silenced.	Unit malfunction. Unit needs to be replaced.	Units under warranty should be returned to manufacturer for replacement. See "Limited Warranty" for details.
Alarm goes back into alarm after you pressed the Test/Silence button.	CO levels are still potentially dangerous.	Refer to "If Your CO Alarm Sounds" for details on how to respond to an alarm. If anyone is feeling ill, EVACUATE your home immediately and call 911.
Alarm sounds frequently even though no high levels of CO are revealed in an investigation.	The Alarm may be improperly located. Refer to "Where to Install This Alarm."	Relocate your alarm. If frequent alarms continue, have home checked for potential problems. You may be experiencing an intermittent CO problem.

*For a list of acceptable replacement batteries, see "Regular Maintenance."
If you have any questions that cannot be answered by reading this manual, call Consumer Affairs: 1-800-323-9005.

GENERAL LIMITATIONS OF CO ALARMS

This CO Alarm is intended for residential use. It is not intended for use in industrial applications where Occupational Safety and Health Administration (OSHA) requirements for Carbon Monoxide Alarms must be met. This device is not intended to alert hearing impaired residents.

CO Alarms may not waken all individuals. If children or others do not readily waken to the sound of the CO Alarm, or if there are infants or family members with mobility limitations, make sure that someone is assigned to assist them in the event of an emergency.

This CO Alarm will not sense CO that does not reach the sensors. It will only sense CO at the sensor. CO may be present in other areas. Doors or other obstructions may affect the rate at which CO reaches the sensors.

CO Alarms may not be heard. The alarm horn loudness meets or exceeds current UL standards of 85 dB at 10 feet (3 meters). However, if the CO Alarm is installed outside the bedroom, it may not wake up a sound sleeper or one who has recently used drugs or has been drinking alcoholic beverages. This is especially true if the door is closed or only partly open. Even persons who are awake may not hear the alarm horn if the sound is blocked by distance or closed doors. Noise from traffic, stereo, radio, television, air conditioner, or other appliances may also prevent alert persons from hearing the alarm horn. This CO Alarm is not intended for people who are hearing impaired.

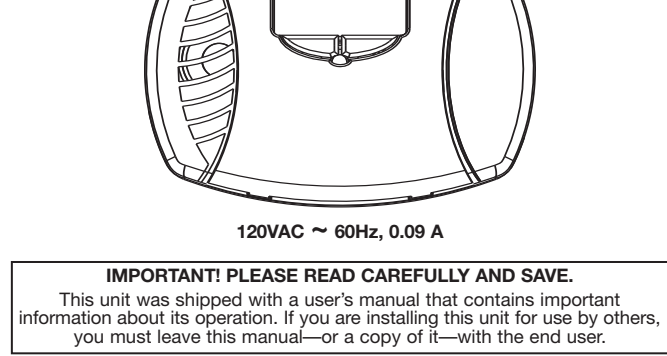
This CO Alarm is not a substitute for life insurance. Though this CO Alarm warns against increasing CO levels, BRK Brands, Inc. does not warrant or imply in any way that they will protect lives. Homeowners and renters must still insure their lives.

This CO Alarm is not fireproof. Like all other electronic devices, this CO Alarm has limitations. It can only detect CO that reaches the sensors. It may not give early warning if the source of CO is in a remote part of the home, away from the alarm device.

This CO Alarm has a limited life. Although this CO Alarm and all of its parts have passed many stringent tests and are designed to be as reliable as possible, any of these parts could fail at any time. Therefore, you must test this device weekly. The unit should be replaced immediately if it is not operating properly.

First Alert USER'S MANUAL

PLUG-IN CARBON MONOXIDE ALARM WITH BATTERY BACK-UP AND SILENCE FEATURES



Printed in Mexico M08-0150-005 Q 04/09 LISTED TO UL 2034 STANDARD Model CO615

TABLE OF CONTENTS

Basic Safety Information	1
Installation	1-3
Where To Install This Alarm	1
Where This Alarm Should Not Be Installed	2
Before You Begin Installation	2
How To Install This CO Alarm	2-3
How Your Alarm Works	3
If Your CO Alarm Sounds	3-4
What To Do If CO Is Detected	3
Using the Silence Feature	4
Using the Peak CO Memory	4
Understanding the Light, Horn, and Display Patterns	3-4
Weekly Testing	5
Regular Maintenance	5
What You Need To Know About CO	5-6
Why is CO?	5
Symptoms of CO Poisoning	5
Finding the Source of CO After an Alarm	5
Potential Sources of CO in the Home	5
How Can I Protect My Family From CO Poisoning?	6
Regulatory Information For CO Alarms	6
Troubleshooting Guide	6-7
Limited Warranty	6-7
General Limitations Of CO Alarms	7

© 2009 BRK Brands, Inc. All rights reserved. Distributed by BRK Brands, Inc. 3901 Liberty Street Road, Aurora, IL 60504-8122 Consumer Affairs: (800) 323-9005 • www.firstalert.com

BASIC SAFETY INFORMATION

IMPORTANT!

Dangers, Warnings, and Cautions alert you to important operating instructions or to potentially hazardous situations. Pay special attention to these items.

CAUTION!

- The CO Alarm is **not** designed to detect fire or any other gas. It will only indicate the presence of carbon monoxide gas at the sensor. Carbon monoxide gas may be present in other areas.
- Do not stand too close to the unit when the alarm is sounding. It is loud to wake you in an emergency. Exposure to the horn at close range may harm your hearing.
- Do not point over the unit. Paint may clog the openings to the sensing chambers and prevent the unit from operating properly.

WARNING!

- This unit must be powered by a 24-hour circuit. Be sure the circuit cannot be turned off by a switch, dimmer, or ground fault circuit interrupter. Failure to connect this unit to a 24-hour circuit may prevent it from providing constant protection.
- This Alarm must have AC or battery power to operate. If AC power fails and the battery is dead or missing, the alarm cannot operate.
- Test the Alarm once a week. If the Alarm ever fails to test correctly, have it replaced immediately! If the Alarm is not working properly, it cannot alert you to a problem.
- This Carbon Monoxide Alarm is intended for residential use and is not suitable for use in hazardous locations as defined in the National Electrical Code.
- This product is intended for use in ordinary indoor locations of family living units. It is not designed to measure CO levels in compliance with Occupational Safety and Health Administration (OSHA) commercial or industrial standards. Individuals with medical conditions that may make them more sensitive to carbon monoxide may consider using warning devices which provide audible and visual signals for carbon monoxide concentrations under 30 ppm. For additional information on carbon monoxide and your medical condition contact your physician.

INSTALLATION

WHERE TO INSTALL THIS ALARM

The National Fire Protection Association (NFPA) recommends that a CO Alarm should be centrally located outside of each separate sleeping area in the immediate vicinity of the bedrooms. For added protection, install additional CO Alarms in each separate bedroom, and on every level of your home.

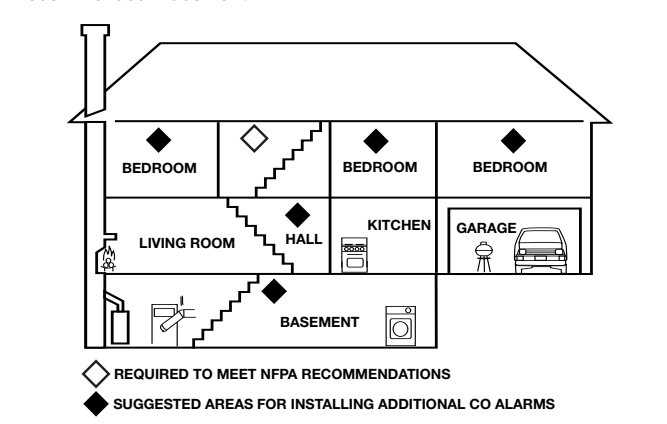
In general, install Carbon Monoxide Alarms:

- WHERE YOU CAN HEAR THE ALARM FROM ALL SLEEPING AREAS
- In or near bedrooms and living areas or wherever you suspect a CO exposure is likely.
- On each level of a multi-level home.

IMPORTANT!

Improper location can affect the sensitive electronic components in this Alarm. Please see "Where This Alarm Should Not Be Installed".

Recommended Placement



NOTE: For any location, make sure no door or other obstruction could keep carbon monoxide from reaching the Alarm.

INSTALLATION, Continued

WHERE THIS ALARM SHOULD NOT BE INSTALLED

To avoid unnecessary damage to the unit, to provide optimum protection, and to prevent unnecessary alarms, Do NOT locate this Alarm:

- In garages, kitchens, crawl spaces and unfinished attics. Avoid extremely dusty, dirty or greasy areas. Installation in these areas could lead to nuisance alarms, may expose the sensor to substances that could damage or contaminate it, or the Alarm may not be heard by persons in other areas of the home, especially if they are sleeping.
- In the garage, vehicle exhaust can contain some carbon monoxide. These levels are higher when the engine is first started. Within hours of starting a vehicle and backing it out of the garage, the levels present over time can activate the Alarm and become a nuisance.
- In the kitchen, some gas appliances can emit a short burst of CO upon start-up. This is normal. If your CO Alarm is installed too close to these appliances, it may alarm often and become a nuisance.
- Keep units at least 20 feet (6 meters) from the sources of combustion particles (stove, furnace, water heater, space heater) if possible. In areas where a 20-foot (6m) distance is not possible – in modular, mobile, or smaller homes, for example – it is recommended the Alarm be placed as far from these fuel-burning sources as possible. The placement recommendations are intended to keep these Alarms at a reasonable distance from a fuel-burning source, and thus reduce "unwanted" alarms. Unwanted alarms can occur if an Alarm is placed directly next to a fuel-burning source. Ventilate these areas as much as possible. If you must install the Alarm near a cooking or heating appliance, install at least 5 feet (1.5 meters) from appliance.
- In extremely humid areas. This Alarm should be at least 10 feet (3 meters) from a shower, sauna, humidifier, vaporizer, dishwasher, laundry room, utility room, or other source of high humidity.
- In direct sunlight.
- In turbulent air, like near ceiling fans or open windows. Blowing air may prevent CO from reaching the sensors.
- In areas where temperature is colder than 40° F (4° C) or hotter than 100° F (38° C). These areas include non-air conditioned crawl spaces, unfinished attics, uninsulated or poorly insulated ceilings, porches, and garages.

- Less than 12 inches (305 mm) away from fluorescent lights. Electrical "noise" can interfere with the sensor.

AVOIDING DEAD AIR SPACES

"Dead air" spaces may prevent CO from reaching the Alarm. To avoid dead air spaces, stay at least a 4-inch (102 mm) away from corners where walls or ceilings and walls meet.

BEFORE YOU BEGIN INSTALLATION

WARNING!

Make sure the alarm is not receiving excessively noisy power. Examples of noisy power could be major appliances on the same circuit, power from a generator or solar power light dimmer on the same circuit or mounted near fluorescent lighting. Excessively noisy power may cause damage to your Alarm.

Find the pair of self-adhesive labels included with this CO Alarm.

- On each label write in the phone number of your emergency responder (like 911) and a qualified appliance technician.
- Place one label near the CO Alarm, and the other label in the "fresh air" location you plan to go if the alarm sounds.

HOW TO INSTALL THIS CO ALARM

IMPORTANT! Read all instructions before using this product.

Tools you will need: Screwdriver, drill.

- Determine the best location for your CO Alarm.
- Your Alarm is equipped to be mounted as a corded unit or a direct plug unit. The unit can be plugged directly into a wall outlet. If your outlets are mounted horizontally, refer to "If Outlet is Mounted Horizontally (Sideways)". If the adapter is taken out of the unit, the Alarm can be installed high on the wall, while the adapter is plugged into a wall outlet.

ACTIVATING THE BATTERY BACK-UP

IMPORTANT!

Activate the battery back-up by installing the two (2) AA batteries. The battery is for back-up power only and is not intended to power the Alarm for an extended period of time in the absence of AC.

The Alarm will light-up the display briefly to indicate the unit is receiving power.

DIRECT PLUG ALARM INTO AN OUTLET

IMPORTANT!

- This Alarm can be plugged directly into a wall outlet located close to the floor.
- Choose a standard UNSWITCHED 120V AC outlet.
- Plug Alarm in.

IF OUTLET IS MOUNTED HORIZONTALLY (SIDEWAYS)

If you are going to use your Alarm as a direct plug into an outlet that is mounted horizontally (sideways), you may want to rotate the adapter 90°, as follows:

- With back of unit facing you (AC blades on your left), place your left thumb on adapter release and grab AC blades with your right hand to release the left side.
- Repeat for the other side adapter thumb release. This will allow adapter to slide out.
- Remove adapter.
- Rotate the adapter 90° and snap firmly back into place.
- Plug Alarm into AC outlet.

WALL MOUNTED ALARM

IMPORTANT!

Installation tips for power cord models: The power cord option provides more flexibility in mounting locations and allows the Alarm to be easily installed at or above eye level.

NOTE: If you mount the Alarm high on a wall, make sure it is at least 4 inches (102 mm) down from the ceiling. Any higher than this, it will be in "dead air" space and carbon monoxide may not reach the sensor.

NOTE: Do not cover the Alarm with a curtain.

To install for a wall-mount, you will need to pull out the removable adapter and power cord, as follows:

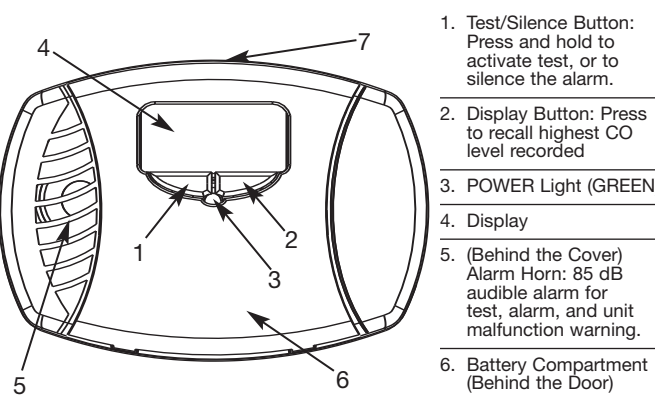
- Repeat steps 1, 3 as described above in "to rotate the adapter".
- With adapter out, pull out power cord and unwrap it.
- Insert the screws provided until head is approx. 1/8 inch (3 mm) from wall (if mounting in plaster board or drywall, drill 3/16 inch (5 mm) hole and use plastic anchor provided).
- Hook the Alarm over the screw onto the keyhole in back of unit.
- Plug power cord into AC outlet.

TEST THE ALARM

- Make sure the Alarm is receiving AC power. Under normal operation, the Green indicator light will shine continuously. If the Green power indicator light does not light, check connections. If connections are correct and the Green power indicator still does not light, the unit should be replaced immediately.
- Press and hold the test button until the alarm sounds. You will hear the signal that indicates the presence of carbon monoxide. When testing the Alarm, have someone else check that the Alarm can be heard easily from the sleeping areas. The unit should be located where it can wake you if it alarms at night.

HOW YOUR ALARM WORKS

THE COVER OF YOUR ALARM



- Test/Silence Button: Press and hold to activate test, or to silence the alarm.
- Display Button: Press to recall highest CO level recorded
- POWER Light (GREEN)
- Display
- Alarm Horn: 85 dB audible alarm for test, alarm, and unit malfunction warning.
- Battery Compartment (Open door here)
- Behind door here

IF YOUR CO ALARM SOUNDS

WHAT TO DO IF CARBON MONOXIDE IS DETECTED

WARNING!

Activation of your CO Alarm indicates the presence of carbon monoxide (CO) which can kill you. In other words, when your CO Alarm sounds, you must ignore it!

IF THE CO ALARM SOUNDS:

- Operate the Test/Silence button.
- Call your emergency services, fire department or 911. Write down the number of your local emergency service here:
- Immediately move to fresh air—outdoors or by an open door or window. Do a head count to check that all persons are accounted for. Do not re-enter the premises, or move away from the open door or window until the emergency services responder has arrived, the premises have been aired out, and your CO Alarm remains in its normal condition.
- After following steps 1-3, if your CO Alarm reactivates within a 24-hour period, repeat steps 1-3 and call a qualified appliance technician to investigate for source of CO from fuel-burning equipment and appliances, and inspect for proper operation of this equipment. If problems are identified during this inspection have the equipment serviced immediately. Note any combustion equipment not inspected by the technician, and consult the manufacturers' instructions, or contact the manufacturers directly, for more information about CO safety and this equipment. Make sure that the emergency services responder has arrived, the premises have been aired out, and your CO Alarm remains in its normal condition.

UNDERSTANDING THE LIGHT, HORN, AND DISPLAY PATTERNS

Condition	LED	Horn	Display
NORMAL AC POWER	LED is Green.	Silent	All segments of display are turned on for a short time upon initial power. Then the battery level icon is displayed.
BATTERY BACK-UP POWER	Green LED is flashing once every 45 seconds.	Silent	Flashing battery icon.
DURING TESTING	LED flashes Red in sync with the horn, flashing Red in Alarm condition.	(4 beeps, alarm horn pattern)	During the simulated CO alarm, "CO" is displayed along with a full alarm level. Several ppm CO levels are also displayed and the alarm level is shown increasing.
LOW OR MISSING BATTERY	Green LED On if AC power is present	A chirp is issued about every minute.	Battery icon will show either 1 bar or an empty icon.
CARBON MONOXIDE ALARM	LED flashes Red in sync with horn	Repeating 4 beeps, pause	"CO" alternating with the ppm number, a full level, and "EVACUATE".</

PRUEBA SEMANAL

¡ADVERTENCIA!

- JAMÁS utilice una llama, del tipo que sea, para probar esta unidad. Puede dañar accidentalmente o incendiar la unidad e incluso su casa. El interruptor de prueba integrado funciona con precisión el funcionamiento de la unidad conforme a las normas de Underwriters Laboratories, Inc. (UL). **JUNCA** use los gases de escape de un vehículo. Los gases de escape pueden causar daños permanentes a la unidad y anular su garantía.
- NO** permanezca cerca del detector cuando la sirena esté sonando. Exponerse a corta distancia puede ser nocivo para sus oídos. Mientras efectúa las pruebas, ajústese en cuanto la sirena empiece a sonar.

¡PRECAUCIÓN!

Es importante probar semanalmente esta unidad para cerciorarse de que funciona de modo correcto. Púese el botón Test/Silence (Prueba/Silencio) en la tapa del detector hasta que suene la alarma.

Si el detector de gas y CO no hace la prueba correctamente:

- Asegúrese de que haya suministro de CA y de que la batería esté cargada e instalada correctamente.
- Pruebe de nuevo la unidad.
- Si el detector aún no funciona correctamente, reemplácela de inmediato. Vea la "Garantía limitada" al final de este manual.

¡ADVERTENCIA!

Si todavía existe algún problema, no trate de reparar el detector por su cuenta. Esto anulará su garantía.

MANTENIMIENTO NORMAL

¡ADVERTENCIA!

Utilice únicamente las baterías de reemplazo que se enumeran enseguida. La unidad **puede no funcionar correctamente** con otras baterías. Jamás utilice baterías recargables, ya que estas no siempre ofrecen una carga constante. Esta unidad ha sido diseñada para ser tan libre de mantenimiento como sea posible, pero existen unas cuantas cosas sencillas que usted debe hacer para mantenerla funcionando correctamente:

- Pruébela al menos una vez por semana.
- Limpie su detector una vez al mes, así como suavemente el exterior del detector utilizando el aditamento de cepillo de su aspiradora doméstica. Pruebe el detector. Nunca use agua, limpiadores o solventes, pues eso puede dañar la unidad.
- Reubique la unidad si ésta emite falsas alarmas con frecuencia. Vea los detalles en "Dónde no instalar este detector".
- Cuando la batería de respaldo se debilita, el detector emitirá un "chirrido" cada minuto (la advertencia de batería baja). Usted deberá reemplazar inmediatamente la batería para seguir disfrutando de protección continua. Este detector **debe tener alimentación de CA o carga de batería para operar**. Si se **interrumpe** el suministro eléctrico y **no hay batería o ésta se encuentra descargada**, el detector no podrá funcionar.

¡ADVERTENCIA!

NO atómicamente sustancias químicas de limpieza ni insecticidas directamente encima o cerca del detector. **NO** pinte el detector. Hacerlo así puede dañarlo permanentemente.

ELECCIÓN DE UNA BATERÍA DE REEMPLAZO:

El detector de CO requiere dos baterías AA estándar. Se pueden usar las siguientes baterías como respaldo: Energizer E91. Estas baterías pueden conseguirse en muchas tiendas minoristas de su localidad.

¡IMPORTANTE!

Esta alarma funciona depende del detector y del ambiente en que éste sea instalado. Todas las baterías anti especificadas son reemplazos aceptables para esta unidad. Independientemente de la vida útil indicada por el fabricante, usted **DEBE** reemplazar la batería cuando la unidad empiece a emitir "chirridos" (la advertencia de batería baja).

LO QUE USTED DEBE SABER ACERCA DEL CO

¿QUÉ ES EL CO?

El monóxido de carbono (CO) es un gas invisible, inodoro e insipido que se genera cuando los combustibles fósiles no se queman por completo o están expuestos al calor (generalmente fuego). Por lo común, los aparatos eléctricos no emiten CO. Tales combustibles son: Madera, carbón mineral, carbón vegetal, aceite, gas natural, gasolina, querosena y propano. Los equipos domésticos son fuentes comunes de CO. Si no se les da mantenimiento adecuado, están mal ventilados o fallan, las concentraciones de CO pueden aumentar rápidamente. El CO es un verdadero peligro ahora que las casas son más eficientes en cuanto a la conservación de la energía. Las viviendas "hermetizadas" con mayor aislamiento, ventanas selladas y otros tratamiento de impermeabilización pueden "atrapar" el CO en su interior.

SÍNTOMAS DE ENVENENAMIENTO CON CO

Estos síntomas se relacionan con el ENVENENAMIENTO CON CO y deben ser explicados a TODOS los ocupantes de la casa.

Exposición leve: Ligero dolor de cabeza, náusea, vómito, fatiga (síntomas "parecidos al resaca").

Exposición media: Dolor de cabeza punzante, somnolencia, confusión, ritmo cardíaco acelerado.

Exposición extrema: Convulsiones, pérdida del conocimiento, insuficiencia cardíaca y pulmonar. La exposición al monóxido de carbono puede ocasionar daños cerebrales y la muerte.

¡IMPORTANTE!

Este detector de CO mide la exposición al CO con el tiempo. Hace sonar la alarma si las concentraciones de CO se vuelven extremadamente altas en poco tiempo o si alcanzan un cierto mínimo en un tiempo prolongado. En general, el detector de CO empieza a sonar la alarma antes de que se presenten síntomas en el promedio de los adultos saludables. ¿Por qué es importante esto? Porque usted necesita ser advertido(a) de un posible problema de CO mientras aún puede reaccionar a tiempo. En muchos casos reportados de exposición al CO, las víctimas están concientes de no sentirse bien, pero se desorientan y ya no pueden reaccionar suficientemente bien para salir del edificio o solicitar ayuda. Además, los niños chicos y las mascotas son los primeros en ser afectados. El adulto promedio saludable pudiera no sentir ninguno de los síntomas al sonar la alarma de CO. Sin embargo, el CO puede afectar más rápida y gravemente a las personas con problemas cardíacos o respiratorios, los lactantes, los bebés por nacer, las madres embarazadas o los ancianos. Si usted percibiera síntomas de envenenamiento por CO, por favor que consulte, no espere de inmediato a su médico!

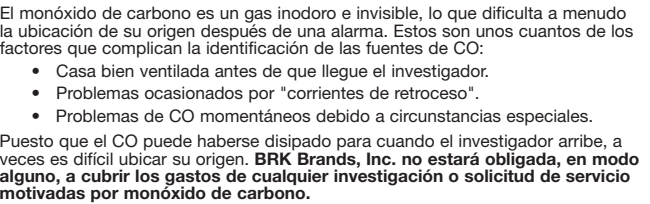
CÓMO UBICAR LA FUENTE DE CO TRAS LA ALARMA

El monóxido de carbono es un gas inodoro e invisible, lo que dificulta a menudo la ubicación de su origen después de una alarma. Estos son unos cuantos de los factores que complican la identificación de las fuentes de CO:

- Casa bien ventilada antes de que llegue el investigador.
- Problemas ocasionados por "corrientes de retroceso".
- Problemas de CO momentáneos debido a circunstancias especiales.

Puesto que el CO puede haberse disipado para cuando el investigador arrive, a veces es difícil encontrar su origen. **BRK Brands, Inc. no está obligada**, en modo alguno, a **cubrir los gastos de cualquier investigación o solicitud de servicio motivadas por monóxido de carbono.**

POSIBLES FUENTES DE CO EN EL HOGAR



Equipos de combustión domésticos, como: calentadores portátiles, chimeneas de gas o madera, estufas o parrillas de gas, secadoras de gas.

Ventilación obstruida o insuficiente: tubo de ventilación de un calentador de agua corroído o desconectado, fugas en el conducto o tiro de una chimenea, fisuras en un radiador de calor, tiro de chimenea obstruido o tapado.

Uso incorrecto de equipos o aparatos: utilizar una parrilla de carbón o encender un vehículo en un lugar encerrado (como un garaje o un vestíbulo cerrado).

Problemas momentáneos de CO: los problemas de CO "transitorios" o intermitentes pueden deberse a condiciones externas u otras circunstancias especiales.

Las siguientes condiciones pueden ocasionar problemas de CO transitorios:

- Desborde excesivo o ventilación inversa de los equipos de combustión debido a condiciones externas como:
 - Dirección y/o velocidad del viento, incluyendo vientosarracos fuertes e irregulares. Aire denso en los conductos de ventilación (aire frío y/o húmedo con períodos prolongados entre ciclos).
 - Un diferencial de presión negativo como consecuencia del uso de ventiladores de escape.
 - Varios equipos que funcionan al mismo tiempo compiten por una fuente limitada de aire fresco.
 - Las conexiones de los conductos de ventilación de secadoras, calderas o calentadores de agua se aflojaron debido a vibraciones.
- Obstrucciones o configuraciones tortuosas de los conductos de ventilación, lo que acrecienta las situaciones anteriores.
- Operación prolongada de equipos de combustión no ventilados (estufas, hornos o chimeneas).
- Inversiones térmicas que pueden atrapar los gases de escape cerca del suelo.
- Vehículo en marcha al ralentí en un garaje abierto o cerrado, o cerca de la casa. Estas condiciones son peligrosas porque pueden atrapar los gases de combustión dentro de su casa. Puesto que tales situaciones son impredecibles, también es difícil reproducirlas durante una investigación de CO.

¿CÓMO PUEDE PROTEGER A MI FAMILIA DEL ENVENENAMIENTO CON CO?

Un detector de CO es un medio de protección excelente. Este mide el aire y emite una fuerte alarma antes de que las concentraciones de monóxido de carbono pongan en peligro a los adultos promedio saludables.

El detector de CO **no sustituye** el mantenimiento adecuado de los equipos domésticos de combustión.

Para prevenir problemas de CO y disminuir el riesgo de envenenamiento con CO:

- Limpie anualmente las chimeneas y los conductos de tiro. Manténgalos libres de basura, hojas y nidios de aves para permitir el libre flujo del aire. Además, haga que un profesional los revise en busca de indicios de oxidación y corrosión, fisuras o separaciones. Estas condiciones pueden impedir el flujo adecuado del aire y provocar corrientes de retroceso. Jamás "tape" o cubra una chimenea de modo que se interrumpa el libre flujo del aire.
- Verifique y mantenga anualmente todos los equipos de combustión. Muchas compañías locales de gas y aire acondicionado ofrecen inspecciones de tales equipos mediante el pago de un honorario normal.
- Inspeccione visualmente con regularidad todos sus equipos de combustión. Revíselos en busca de oxidación excesiva y formación de escamas. Revise también la llama del quemador y las llamas piloto. La llama debe ser azul. Una llama amarillita significa que el combustible no está quemándose por completo y que puede estar generandoCO. Mantenga cerrada la compuerta del soplador de las calderas. De ser posible, use ventiladores o extractores en todos los equipos de combustión. Cerciórese de que los equipos de combustión expulsen sus gases de escape al exterior.
- No encienda parrillas de carbón en el interior de la casa, en un garaje o en un vestíbulo cerrado.

- Asegúrese de que no haya corrientes de retroceso en las fuentes de CO. Cerciórese de que la salida de tiro de las calderas no tenga corrientes de retroceso cuando la caldera esté encendida. Busque fisuras en los radiadores de calor.
- Revise la casa o el garaje por el otro lado del muro compartido.
- Mantenga las ventanas y puertas ligeramente abiertas. Si sospecha que se está generando CO dentro de su casa, abra una ventana o una puerta. Abrir ventanas y puertas puede disminuir considerablemente las concentraciones de CO.

Además, concócese en detalle toda la información que le proporcionamos. **Lea por completo este manual y cerciórese de haber comprendido lo que debe hacer en caso de que su detector de CO suene.**

INFORMACIÓN NORMATIVA PARA DETECTORES DE CO

¿QUÉ CONCENTRACIONES DE CO PROVOCAN UNA ALARMA?

Según la Norma UL2034 de Underwriters Laboratories, Inc., los detectores de CO y tipo residencial deben sonar al estar expuestos a las concentraciones de CO de BRK Brands, Inc. no garantiza ni pretende, en modo alguno, que esta unidad salve vidas. Los propietarios y/o arrendadores de la casa deberán asegurar sus vidas.

Este detector de CO no es un sustituto de un seguro de vida. Aunque este detector de CO le puede alertar ante el peligro de concentraciones cada vez mayores de CO, BRK Brands, Inc. no garantiza ni pretende, en modo alguno, que esta unidad salve vidas. Los propietarios y/o arrendadores de la casa deberán asegurar sus vidas.

Este detector de CO no es a prueba de tontos. Al igual que todos los dispositivos electrónicos, este detector de CO tiene limitaciones. Sólo puede detectar el CO que llega a los sensores. No podrá emitir una alerta temprana si el origen del CO se encuentra en un lugar remoto de la casa, lejos del dispositivo de detección.

Este detector de CO tiene una vida útil limitada. Aunque este detector de CO y todos sus componentes han pasado por pruebas muy exigentes y están diseñados para ser tan confiables como es posible, alguno de dichos componentes puede fallar en cualquier momento. Por lo tanto, usted debe verificar semanalmente este dispositivo. Reemplácelo de inmediato la unidad si no funciona correctamente.

INFORMACIÓN NORMATIVA PARA DETECTORES DE CO

¿QUÉ CONCENTRACIONES DE CO PROVOCAN UNA ALARMA?

Según la Norma UL2034 de Underwriters Laboratories, Inc., los detectores de CO y tipo residencial deben sonar al estar expuestos a las concentraciones de CO de BRK Brands, Inc. no garantiza ni pretende, en modo alguno, que esta unidad salve vidas. Los propietarios y/o arrendadores de la casa deberán asegurar sus vidas.

Este detector de CO no es un sustituto de un seguro de vida. Aunque este detector de CO y todos sus componentes han pasado por pruebas muy exigentes y están diseñados para ser tan confiables como es posible, alguno de dichos componentes puede fallar en cualquier momento. Por lo tanto, usted debe verificar semanalmente este dispositivo. Reemplácelo de inmediato la unidad si no funciona correctamente.

Este detector de CO tiene una vida útil limitada. Aunque este detector de CO y todos sus componentes han pasado por pruebas muy exigentes y están diseñados para ser tan confiables como es posible, alguno de dichos componentes puede fallar en cualquier momento. Por lo tanto, usted debe verificar semanalmente este dispositivo. Reemplácelo de inmediato la unidad si no funciona correctamente.

Este detector de CO tiene una vida útil limitada. Aunque este detector de CO y todos sus componentes han pasado por pruebas muy exigentes y están diseñados para ser tan confiables como es posible, alguno de dichos componentes puede fallar en cualquier momento. Por lo tanto, usted debe verificar semanalmente este dispositivo. Reemplácelo de inmediato la unidad si no funciona correctamente.

Este detector de CO tiene una vida útil limitada. Aunque este detector de CO y todos sus componentes han pasado por pruebas muy exigentes y están diseñados para ser tan confiables como es posible, alguno de dichos componentes puede fallar en cualquier momento. Por lo tanto, usted debe verificar semanalmente este dispositivo. Reemplácelo de inmediato la unidad si no funciona correctamente.

Este detector de CO tiene una vida útil limitada. Aunque este detector de CO y todos sus componentes han pasado por pruebas muy exigentes y están diseñados para ser tan confiables como es posible, alguno de dichos componentes puede fallar en cualquier momento. Por lo tanto, usted debe verificar semanalmente este dispositivo. Reemplácelo de inmediato la unidad si no funciona correctamente.

Este detector de CO tiene una vida útil limitada. Aunque este detector de CO y todos sus componentes han pasado por pruebas muy exigentes y están diseñados para ser tan confiables como es posible, alguno de dichos componentes puede fallar en cualquier momento. Por lo tanto, usted debe verificar semanalmente este dispositivo. Reemplácelo de inmediato la unidad si no funciona correctamente.

Este detector de CO tiene una vida útil limitada. Aunque este detector de CO y todos sus componentes han pasado por pruebas muy exigentes y están diseñados para ser tan confiables como es posible, alguno de dichos componentes puede fallar en cualquier momento. Por lo tanto, usted debe verificar semanalmente este dispositivo. Reemplácelo de inmediato la unidad si no funciona correctamente.

Este detector de CO tiene una vida útil limitada. Aunque este detector de CO y todos sus componentes han pasado por pruebas muy exigentes y están diseñados para ser tan confiables como es posible, alguno de dichos componentes puede fallar en cualquier momento. Por lo tanto, usted debe verificar semanalmente este dispositivo. Reemplácelo de inmediato la unidad si no funciona correctamente.

Este detector de CO tiene una vida útil limitada. Aunque este detector de CO y todos sus componentes han pasado por pruebas muy exigentes y están diseñados para ser tan confiables como es posible, alguno de dichos componentes puede fallar en cualquier momento. Por lo tanto, usted debe verificar semanalmente este dispositivo. Reemplácelo de inmediato la unidad si no funciona correctamente.

Este detector de CO tiene una vida útil limitada. Aunque este detector de CO y todos sus componentes han pasado por pruebas muy exigentes y están diseñados para ser tan confiables como es posible, alguno de dichos componentes puede fallar en cualquier momento. Por lo tanto, usted debe verificar semanalmente este dispositivo. Reemplácelo de inmediato la unidad si no funciona correctamente.

Este detector de CO tiene una vida útil limitada. Aunque este detector de CO y todos sus componentes han pasado por pruebas muy exigentes y están diseñados para ser tan confiables como es posible, alguno de dichos componentes puede fallar en cualquier momento. Por lo tanto, usted debe verificar semanalmente este dispositivo. Reemplácelo de inmediato la unidad si no funciona correctamente.

Este detector de CO tiene una vida útil limitada. Aunque este detector de CO y todos sus componentes han pasado por pruebas muy exigentes y están diseñados para ser tan confiables como es posible, alguno de dichos componentes puede fallar en cualquier momento. Por lo tanto, usted debe verificar semanalmente este dispositivo. Reemplácelo de inmediato la unidad si no funciona correctamente.

Este detector de CO tiene una vida útil limitada. Aunque este detector de CO y todos sus componentes han pasado por pruebas muy exigentes y están diseñados para ser tan confiables como es posible, alguno de dichos componentes puede fallar en cualquier momento. Por lo tanto, usted debe verificar semanalmente este dispositivo. Reemplácelo de inmediato la unidad si no funciona correctamente.

Este detector de CO tiene una vida útil limitada. Aunque este detector de CO y todos sus componentes han pasado por pruebas muy exigentes y están diseñados para ser tan confiables como es posible, alguno de dichos componentes puede fallar en cualquier momento. Por lo tanto, usted debe verificar semanalmente este dispositivo. Reemplácelo de inmediato la unidad si no funciona correctamente.

Este detector de CO tiene una vida útil limitada. Aunque este detector de CO y todos sus componentes han pasado por pruebas muy exigentes y están diseñados para ser tan confiables como es posible, alguno de dichos componentes puede fallar en cualquier momento. Por lo tanto, usted debe verificar semanalmente este dispositivo. Reemplácelo de inmediato la unidad si no funciona correctamente.

Este detector de CO tiene una vida útil limitada. Aunque este detector de CO y todos sus componentes han pasado por pruebas muy exigentes y están diseñados para ser tan confiables como es posible, alguno de dichos componentes puede fallar en cualquier momento. Por lo tanto, usted debe verificar semanalmente este dispositivo. Reemplácelo de inmediato la unidad si no funciona correctamente.

Este detector de CO tiene una vida útil limitada. Aunque este detector de CO y todos sus componentes han pasado por pruebas muy exigentes y están diseñados para ser tan confiables como es posible, alguno de dichos componentes puede fallar en cualquier momento. Por lo tanto, usted debe verificar semanalmente este dispositivo. Reemplácelo de inmediato la unidad si no funciona correctamente.

Este detector de CO tiene una vida útil limitada. Aunque este detector de CO y todos sus componentes han pasado por pruebas muy exigentes y están diseñados para ser tan confiables como es posible, alguno de dichos componentes puede fallar en cualquier momento. Por lo tanto, usted debe verificar semanalmente este dispositivo. Reemplácelo de inmediato la unidad si no funciona correctamente.

Este detector de CO tiene una vida útil limitada. Aunque este detector de CO y todos sus componentes han pasado por pruebas muy exigentes y están diseñados para ser tan confiables como es posible, alguno de dichos componentes puede fallar en cualquier momento. Por lo tanto, usted debe verificar semanalmente este dispositivo. Reemplácelo de inmediato la unidad si no funciona correctamente.

Este detector de CO tiene una vida útil limitada. Aunque este detector de CO y todos sus componentes han pasado por pruebas muy exigentes y están diseñados para ser tan confiables como es posible, alguno de dichos componentes puede fallar en cualquier momento. Por lo tanto, usted debe verificar semanalmente este dispositivo. Reemplácelo de inmediato la unidad si no funciona correctamente.

Este detector de CO tiene una vida útil limitada. Aunque este detector de CO y todos sus componentes han pasado por pruebas muy exigentes y están diseñados para ser tan confiables como es posible, alguno de dichos componentes puede fallar en cualquier momento. Por lo tanto, usted debe verificar semanalmente este dispositivo. Reemplácelo de inmediato la unidad si no funciona correctamente.

Este detector de CO tiene una vida útil limitada. Aunque este detector de CO y todos sus componentes han pasado por pruebas muy exigentes y están diseñados para ser tan confiables como es posible, alguno de dichos componentes puede fallar en cualquier momento. Por lo tanto, usted debe verificar semanalmente este dispositivo. Reemplácelo de inmediato la unidad si no funciona correctamente.

Este detector de CO tiene una vida útil limitada. Aunque este detector de CO y todos sus componentes han pasado por pruebas muy exigentes y están diseñados para ser tan confiables como es posible, alguno de dichos componentes puede fallar en cualquier momento. Por lo tanto, usted debe verificar semanalmente este dispositivo. Reemplácelo de inmediato la unidad si no funciona correctamente.

Este detector de CO tiene una vida útil limitada. Aunque este detector de CO y todos sus componentes han pasado por pruebas muy exigentes y están diseñados para ser tan confiables como es posible, alguno de dichos componentes puede fallar en cualquier momento. Por lo tanto, usted debe verificar semanalmente este dispositivo. Reemplácelo de inmediato la unidad si no funciona correctamente.

Este detector de CO tiene una vida útil limitada. Aunque este detector de CO y todos sus componentes han pasado por pruebas muy exigentes y están diseñados para ser tan confiables como es posible, alguno de dichos componentes puede fallar en cualquier momento. Por lo tanto, usted debe verificar semanalmente este dispositivo. Reemplácelo de inmediato la unidad si no funciona correctamente.

Este detector de CO tiene una vida útil limitada. Aunque este detector de CO y todos sus componentes han pasado por pruebas muy exigentes y están diseñados para ser tan confiables como es posible, alguno de dichos componentes puede fallar en cualquier momento. Por lo tanto, usted debe verificar semanalmente este dispositivo. Reemplácelo de inmediato la unidad si no funciona correctamente.

Este detector de CO tiene una vida útil limitada. Aunque este detector de CO y todos sus componentes han pasado por pruebas muy exigentes y están diseñados para ser tan confiables como es posible, alguno de dichos componentes puede fallar en cualquier momento. Por lo tanto, usted debe verificar semanalmente este dispositivo. Reemplácelo de inmediato la unidad si no funciona correctamente.

Este detector de CO tiene una vida útil limitada. Aunque este detector de CO y todos sus componentes han pasado por pruebas muy exigentes y están diseñados para ser tan confiables como es posible, alguno de dichos componentes puede fallar en cualquier momento. Por lo tanto, usted debe verificar semanalmente este dispositivo. Reemplácelo de inmediato la unidad si no funciona correctamente.

Este detector de CO tiene una vida útil limitada. Aunque este detector de CO y todos sus componentes han pasado por pruebas muy exigentes y están diseñados para ser tan confiables como es posible, alguno de dichos componentes puede fallar en cualquier momento. Por lo tanto, usted debe verificar semanalmente este dispositivo. Reemplácelo de inmediato la unidad si no funciona correctamente.

Este detector de CO tiene una vida útil limitada. Aunque este detector de CO y todos sus componentes han pasado por pruebas muy exigentes y están diseñados para ser tan confiables como es posible, alguno de dichos componentes puede fallar en cualquier momento. Por lo tanto, usted debe verificar semanalmente este dispositivo. Reemplácelo de inmediato la unidad si no funciona correctamente.

Este detector de CO tiene una vida útil limitada. Aunque este detector de CO y todos sus componentes han pasado por pruebas muy exigentes y están diseñados para ser tan confiables como es posible, alguno de dichos componentes puede fallar en cualquier momento. Por lo tanto, usted debe verificar semanalmente este dispositivo. Reemplácelo de inmediato la unidad si no funciona correctamente.

Este detector de CO tiene una vida útil limitada. Aunque este detector de CO y todos sus componentes han pasado por pruebas muy exigentes y están diseñados para ser tan confiables como es posible, alguno de dichos componentes puede fallar en cualquier momento. Por lo tanto, usted debe verificar semanalmente este dispositivo. Reemplácelo de inmediato la unidad si no funciona correctamente.

Este detector de CO tiene una vida útil limitada. Aunque este detector de CO y todos sus componentes han pasado por pruebas muy exigentes y están diseñados para ser tan confiables como es posible, alguno de dichos componentes puede fallar en cualquier momento. Por lo tanto, usted debe verificar semanalmente este dispositivo. Reemplácelo de inmediato la unidad si no funciona correctamente.

Este detector de CO tiene una vida útil limitada. Aunque este detector de CO y todos sus componentes han pasado por pruebas muy exigentes y están diseñados para ser tan confiables como es posible, alguno de dichos componentes puede fallar en cualquier momento. Por lo tanto, usted debe verificar semanalmente este dispositivo. Reemplácelo de inmediato la unidad si no funciona correctamente.

Este detector de CO tiene una vida útil limitada. Aunque este detector de CO y todos sus componentes han pasado por pruebas muy exigentes y están diseñados para ser tan confiables como es posible, alguno de dichos componentes puede fallar en cualquier momento. Por lo tanto, usted debe verificar semanalmente este dispositivo. Reemplácelo de inmediato la unidad si no funciona correctamente.

Este detector de CO tiene una vida útil limitada. Aunque este detector de CO y todos sus componentes han pasado por pruebas muy exigentes y están diseñados para ser tan confiables como es posible, alguno de dichos componentes puede fallar en cualquier momento. Por lo tanto, usted debe verificar semanalmente este dispositivo. Reemplácelo de inmediato la unidad si no funciona correctamente.

Este detector de CO tiene una vida útil limitada. Aunque este detector de CO y todos sus componentes han pasado por pruebas muy exigentes y están diseñados para ser tan confiables como es posible, alguno de dichos componentes puede fallar en cualquier momento. Por lo tanto, usted debe verificar semanalmente este dispositivo. Reemplácelo de inmediato la unidad si no funciona correctamente.

Este detector de CO tiene una vida útil limitada. Aunque este detector de CO y todos sus componentes han pasado por pruebas muy exigentes y están diseñados para ser tan confiables como es posible, alguno de dichos componentes puede fallar en cualquier momento. Por lo tanto, usted debe verificar semanalmente este dispositivo. Reemplácelo de inmediato la unidad si no funciona correctamente.

Este detector de CO tiene una vida útil limitada. Aunque este detector de CO y todos sus componentes han pasado por pruebas muy exigentes y están diseñados para ser tan confiables como es posible, alguno de dichos componentes puede fallar en cualquier momento. Por lo tanto, usted debe verificar semanalmente este dispositivo. Reemplácelo de inmediato la unidad si no funciona correctamente.

Este detector de CO tiene una vida útil limitada. Aunque este detector de CO y todos sus componentes han pasado por pruebas muy exigentes y están diseñados para ser tan confiables como es posible, alguno de dichos componentes puede fallar en cualquier momento. Por lo tanto, usted debe verificar semanalmente este dispositivo. Reemplácelo de inmediato la unidad si no funciona correctamente.

Este detector de CO tiene una vida útil limitada. Aunque este detector de CO y todos sus componentes han pasado por pruebas muy exigentes y están diseñados para ser tan confiables como es posible, alguno de dichos componentes puede fallar en cualquier momento. Por lo tanto, usted debe verificar semanalmente este dispositivo. Reemplácelo de inmediato la unidad si no funciona correctamente.

Este detector de CO tiene una vida útil limitada. Aunque este detector de CO y todos sus componentes han pasado por pruebas muy exigentes y están diseñados para ser tan confiables como es posible, alguno de dichos componentes puede fallar en cualquier momento. Por lo tanto, usted debe verificar semanalmente este dispositivo. Reemplácelo de inmediato la unidad si no funciona correctamente.

Este detector de CO tiene una vida útil limitada. Aunque este detector de CO y todos sus componentes han pasado por pruebas muy exigentes y están diseñados para ser tan confiables como es posible, alguno de dichos componentes puede fallar en cualquier momento. Por lo tanto, usted debe verificar semanalmente este dispositivo. Reemplácelo de inmediato la unidad si no funciona correctamente.

Este detector de CO tiene una vida útil limitada. Aunque este detector de CO y todos sus componentes han pasado por pruebas muy exigentes y están diseñados para ser tan confiables como es posible, alguno de dichos componentes puede fallar en cualquier momento. Por lo tanto, usted debe verificar semanalmente este dispositivo. Reemplácelo de inmediato la unidad si no funciona correctamente.

Este detector de CO tiene una vida útil limitada. Aunque este detector de CO y todos sus componentes han pasado por pruebas muy exigentes y están diseñados para ser tan confiables como es posible, alguno de dichos componentes puede fallar en cualquier momento. Por lo tanto, usted debe verificar semanalmente este dispositivo. Reemplácelo de inmediato la unidad si no funciona correctamente.

Este detector de CO tiene una vida útil limitada. Aunque este detector de CO y todos sus componentes han pasado por pruebas muy exigentes y están diseñados para ser tan confiables como es posible, alguno de dichos componentes puede fallar en cualquier momento. Por lo tanto, usted debe verificar semanalmente este dispositivo. Reemplácelo de inmediato la unidad si no funciona correctamente.

Este detector de CO tiene una vida útil limitada. Aunque este detector de CO y todos sus componentes han pasado por pruebas muy exigentes y están diseñados para ser tan confiables como es posible, alguno de dichos componentes puede fallar en cualquier momento. Por lo tanto, usted debe verificar semanalmente este dispositivo. Reemplácelo de inmediato la unidad si no funciona correctamente.

Este detector de CO tiene una vida útil limitada. Aunque este detector de CO y todos sus componentes han pasado por pruebas muy exigentes y están diseñados para ser tan confiables como es posible, alguno de dichos componentes puede fallar en cualquier momento. Por lo tanto, usted debe verificar semanalmente este dispositivo. Reemplácelo de inmediato la unidad si no funciona correctamente.

Este detector de CO tiene una vida útil limitada. Aunque este detector de CO y todos sus componentes han pasado por pruebas muy exigentes y están diseñados para ser tan confiables como es posible, alguno de dichos componentes puede fallar en cualquier momento. Por lo tanto, usted debe verificar semanalmente este dispositivo. Reemplácelo de inmediato la unidad si no funciona correctamente.

LIMITACIONES GENERALES DE LOS DETECTORES DE CO

Este detector de CO fue diseñado exclusivamente para uso residencial. No fue pensado para aplicaciones industriales en las que deban cumplirse los requisitos que señala la Occupational Safety and Health Administration (OSHA) para los detectores de monóxido de carbono. Este dispositivo no fue diseñado para alertar a las personas con problemas auditivos.

No todas las personas se pueden despertar con los detectores de CO. Si los niños u otras personas no se despiertan rápidamente ante el sonido del detector de CO o si hay bebés o miembros de la familia con limitaciones de movilidad, asegúrese de que se les asigne alguien que los ayude en el caso de una emergencia.

Este detector de CO no detectará el CO que no llega hasta los sensores. Sólo detecta el CO que llega al sensor. Puede haber CO en otras áreas. Las puertas u otras obstrucciones pueden afectar la rapidez con que el CO llega a los sensores.

Las alarmas de CO pueden no ser escuchadas. El volumen de la sirena de alarma cumple o supera las normas actuales de los UL, es decir, 85 dB a 3 metros (10 pies) de distancia. No obstante, si el detector de CO está instalado fuera de la recámara, podría ser insuficiente para despertar a las personas con el sueño muy profundo o a quienes hayan ingerido recientemente medicamentos o bebidas alcohólicas. Esto es particularmente grave si la puerta está cerrada o parcialmente abierta. Incluso puede darse el caso de que personas despiertas no escuchen la bocina de alarma si el sonido se apaga con la distancia o la presencia de puertas cerradas. Asimismo, el ruido del tráfico, un equipo de sonido, la radio, la televisión, un acondicionador de aire u otros aparatos pueden impedir que personas despiertas escuchen la bocina de alarma. Este detector de CO no fue diseñado para personas con problemas auditivos.

Este detector de CO no es sustituto de un seguro de vida. Aunque este detector de CO le puede alertar ante el peligro de concentraciones cada vez mayores de CO, BRK Brands, Inc. no garantiza ni pretende, en modo alguno, que esta unidad salve vidas. Los propietarios y/o arrendadores de la casa deberán asegurar sus vidas.

Este detector de CO no es un sustituto de un seguro de vida. Aunque este detector de CO le puede alertar ante el peligro de concentraciones cada vez mayores de CO, BRK Brands, Inc. no garantiza ni pretende, en modo alguno, que esta unidad salve vidas. Los propietarios y/o arrendadores de la casa deberán asegurar sus vidas.

Este detector de CO no es a prueba de tontos. Al igual que todos los dispositivos electrónicos, este detector de CO tiene limitaciones. Sólo puede detectar el CO que llega a los sensores. No podrá emitir una alerta temprana si el origen del CO se encuentra en un lugar remoto de la casa, lejos del dispositivo de detección.

Este detector de CO tiene una vida útil limitada. Aunque este detector de CO y todos sus componentes han pasado por pruebas muy exigentes y están diseñados para ser tan confiables como es posible, alguno de dichos componentes puede fallar en cualquier momento. Por lo tanto, usted debe verificar semanalmente este dispositivo. Reemplácelo de inmediato la unidad si no funciona correctamente.

Este detector de CO tiene una vida útil limitada. Aunque este detector de CO y todos sus componentes han pasado por pruebas muy exigentes y están diseñados para ser tan confiables como es posible, alguno de dichos componentes puede fallar en cualquier momento. Por lo tanto, usted debe verificar semanalmente este dispositivo. Reemplácelo de inmediato la unidad si no funciona correctamente.

Este detector de CO tiene una vida útil limitada. Aunque este detector de CO y todos sus componentes han pasado por pruebas muy exigentes y están diseñados para ser tan confiables como es posible, alguno de dichos componentes puede fallar en cualquier momento. Por lo tanto, usted debe verificar semanalmente este dispositivo. Reemplácelo de inmediato la unidad si no funciona correctamente.

Este detector de CO tiene una vida útil limitada. Aunque este detector de CO y todos sus componentes han pasado por pruebas muy exigentes y están diseñados para ser tan confiables como es posible, alguno de dichos componentes puede fallar en cualquier momento. Por lo tanto, usted debe verificar semanalmente este dispositivo. Reemplácelo de inmediato la unidad si no funciona correctamente.